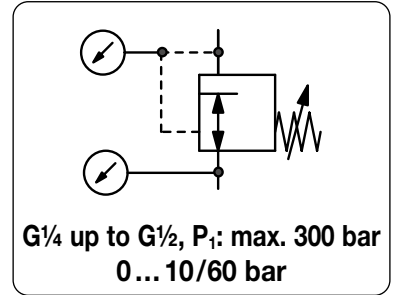


# MAIN PRESSURE REGULATOR UP TO 300 BAR

RH

<b>Description</b>	Main pressure regulator according to ISO 7291 up to 300 bar with G½ connection thread. A filter at the inlet port protects against contamination.
<b>Media</b>	compressed air, oxygen or different gases on request
<b>Supply pressure</b>	see chart, max. 300 bar
<b>Connections</b>	G¼ to G½
<b>Adjustment</b>	by T-handle for RH-..7.510 / 520 / 525 by hexagonal spindle (spanner size 20 mm) for RH-..7.545 / 565
<b>Gauge port</b>	All regulators are equipped with both one supply pressure gauge and one outlet pressure gauge.
<b>Leakage rate</b>	10 <sup>-6</sup> mbar l/s
<b>Compensation</b>	without supply pressure variation compensation
<b>Temperature range</b>	-30 °C to 60 °C / -22 °F to 140 °F
<b>Material</b>	Body: brass O-rings: NBR/Buna-N Spring cage: brass Diaphragm: 65NBR4550, stainless steel for oxygen > 20 bar



Dimensions			Flow rate		Supply pressure	Connection thread	Pressure range	Order number
A	B	C	m³/h*1	l/min*1	max. bar	G	bar	

Main pressure regulator					for compressed air, supply and outlet pressure gauge supplied	RH		
150	205	115	50	830	100	G½	0 ... 10	RH-147.510
			75	1250			0 ... 20	RH-147.520
200	310	215	170	2830			0 ... 20	RH-147.525
			290	4830			15 ... 40	RH-147.545
			450	7500			15 ... 60	RH-147.565
150	205	115	50	830	200	G½	0 ... 10	RH-247.510
			75	1250			0 ... 20	RH-247.520
200	310	215	170	2830			0 ... 20	RH-247.525
			290	4830			15 ... 40	RH-247.545
			450	7500			15 ... 60	RH-247.565
150	205	115	50	830	300	G½	0 ... 10	RH-347.510
			75	1250			0 ... 20	RH-347.520
200	310	215	170	2830			0 ... 20	RH-347.525
			290	4830			15 ... 40	RH-347.545
			450	7500			15 ... 60	RH-347.565



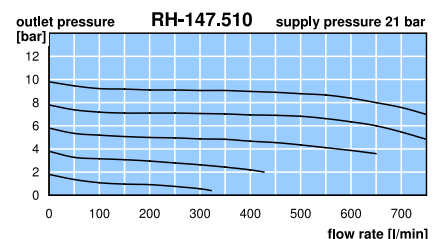
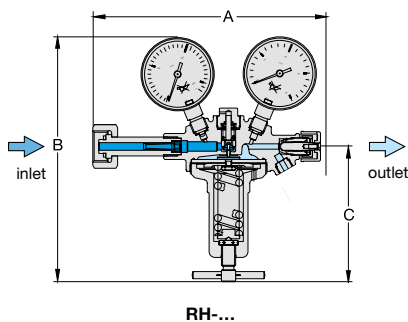
RH-47.510 / 520



RH-47.525 / 545 / 565

## Special options, add the appropriate letter

G¼	connection thread, max. 100 bar	RH-..27...
G¾	connection thread	RH-..37...
metal diaphragm	5.0 purity	RH-..7...M
carbon dioxide	CO <sub>2</sub>	RH-..7...03
inert gas		RH-..7...04
argon	Ar	RH-..7...05
fuel gas	up to 40 bar	RH-..7...06
nitrogen	N <sub>2</sub>	RH-..7...07
forming gas	up to 40 bar	RH-..7...08
helium	He	RH-..7...09
hydrogen	H <sub>2</sub>	RH-..7...11
testing gas	up to 40 bar	RH-..7...12
methane	CH <sub>4</sub>	RH-..7...13M
natural gas *2		RH-..7...14
oxygen	O <sub>2</sub> up to 20 bar	RH-..7...15
chrome plated body	inside and outside	RH-..7...C



\*1 at supply pressure of 2 x outlet pressure + 1 bar

\*2 without DVGW-approval

\* Product group

PDF CAD  
www.aircom.net



Order example:  
RH-147.510